
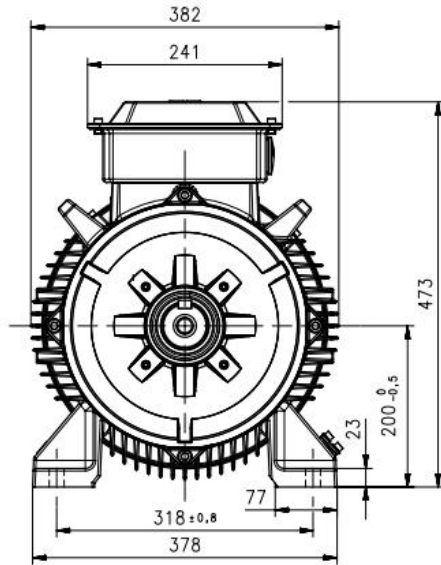
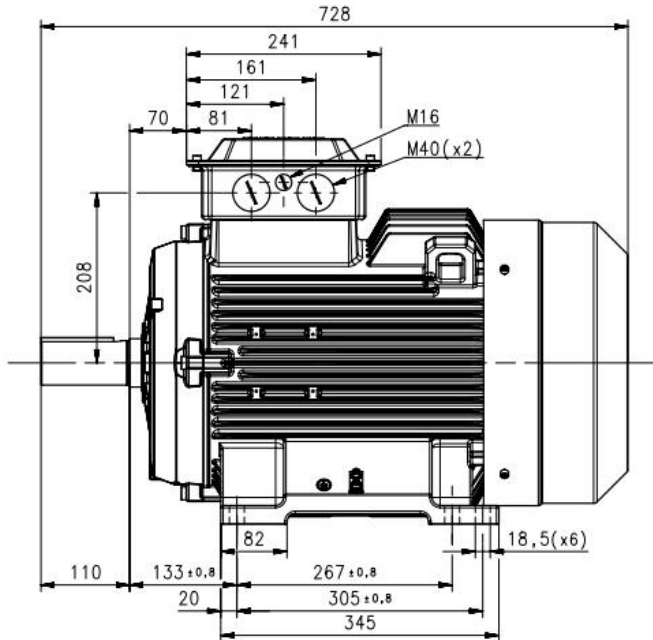
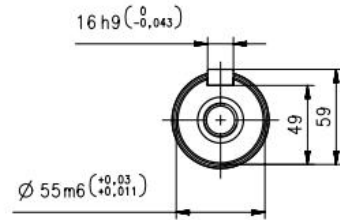
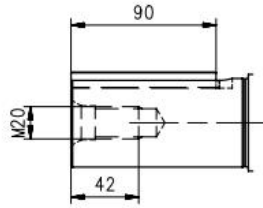


IEC LV Motors		Technical Data Sheet			
Department/Author <b>Gugan E</b>		Customer name	Customer ref	Item name <b>1.00003</b>	
Our ref. <b>Trielectric International FZE</b>		Rev/Changed by <b>A</b>	Date of issue <b>9/25/2023</b>	Saving ident <b>untitled.xlsm</b>	Pages <b>1(3)</b>
<b>No.</b>	<b>Definition</b>	<b>Data</b>	<b>Unit</b>	<b>Remarks</b>	
1	Product	<b>TEFC, 3-phase, squirrel cage induction motor</b>			
2	Product code	<b>3GBA 203 410-ADDIN</b>		Calc. ref.	<b>3GZH021020-22</b>
3	Type/Frame	<b>M2BAX 200MLA 6</b>			
4	Mounting	<b>IM1001, B3(foot)</b>			
5	Rated output P <sub>N</sub>	<b>18.5</b>	kW		
6	Service factor	<b>1</b>			
7	Type of duty	<b>S1 100%</b>			
8	Rated voltage U <sub>N</sub>	<b>400</b>	VD		± 5 %
9	Rated frequency f <sub>N</sub>	<b>50</b>	Hz		± 2 %
10	Rated speed n <sub>N</sub>	<b>980</b>	r/min		
11	Rated current I <sub>N</sub>	<b>36.3</b>	A		
12					
13	Starting current I <sub>s</sub> /I <sub>N</sub>	<b>7</b>			
14	Nominal torque T <sub>N</sub>	<b>180</b>	Nm		
15	Locked rotor torque T <sub>s</sub> /T <sub>N</sub>	<b>2.2</b>			
16	Maximum torque T <sub>max</sub> /T <sub>N</sub>	<b>3.1</b>			
17					
18					
Load characteristics		Load %	Current A	Efficiency %	Power factor
19	PLL determined from residual loss	<b>100</b>	<b>36.3</b>	<b>91.7 / IE3</b>	<b>0.8</b>
20		<b>75</b>	<b>29.1</b>	<b>91.8</b>	<b>0.75</b>
21		<b>50</b>	<b>22.6</b>	<b>90.9</b>	<b>0.65</b>
22					
23	Thermal withstand time hot	<b>12</b>	s		
24	Thermal withstand time cold	<b>19</b>	s		
25	Insulation class / Temperature class	<b>F / B</b>			
26	Ambient temperature	<b>50</b>	°C		
27	Altitude	<b>1000</b>	m.a.s.l.		
28	Degree of protection	<b>IP55</b>			
29	Cooling system	<b>IC411</b>			
30	Bearing DE/NDE	<b>6312-2Z/C3 - 6209-2Z/C3</b>			
31	Sound pressure level (LP dB(A) 1m)	<b>80</b>	dB(A)		at no-load
32	Moment of inertia J = ¼ GD2	<b>0.496</b>	kg-m2		
33	Position of terminal box	<b>Top</b>			
34	Direction of rotation	<b>Bi-directional</b>			
35	Weight of rotor	<b>85</b>	kg		
36	Total weight of motor	<b>238</b>	kg		
37	Paint shade	<b>Munsell Blue</b>			
38	Cable size				
39	Vibration	<b>As Per IS 12075</b>			
40					
41					
42					
43					
44					
45					
Ex-motors					
46					
47					
48					
Option Variant Codes / Definition					
49					
50					
51					
52					
Remarks:					
Applicable standards: IS 12615:2018, IEC 60034-30-1:2014					

All performance values are subject to IS/IEC tolerances



Additional information:

<b>Dimension Print</b>	Motor Type:	M2BAX 200_2-6 B3, B6, B7, B8, V5, V6	Document No:	3GZC500020-5 C
				13 BA 200 A
Description: STANDARD SQUIRREL CAGE MOTOR				
Unit:	ABB Motors and Generators	Issued by:	Bin Zou	Replaces:
Date:	2015-08-11	Approved by:	Anna Feng	Replaced by:
<b>ABB Ltd.</b>		Customer Reference:		<b>ABB</b>

## Motors in brief

General performance IE3 premium efficiency cast iron motors in brief

Size	160	180	200	225	250	
<b>Stator</b>	Material	Cast Iron Grade 200:ISO 185				
	Paint colour shade	Munsell blue 8B 4.5/3.25 / NCS 4822 B05G				
	Surface Treatment	C3 medium according to ISO / EN 12944-5				
<b>Feet</b>		Integrated with stator				
	Material	Cast iron grade 200 : ISO 185				
<b>Bearing end shields</b>	Material	Cast iron grade 200 : ISO 185				
	Paint colour shade	Munsell blue 8B 4.5/3.25/NCS 4822 B05G				
	Surface Treatment	C3 medium according to ISO / EN 12944-5				
<b>Bearings</b>	D-end	6209-2Z/C3	6310-2Z/C3	6312-2Z/C3	6313-2Z/C3	6315-2Z/C3
	N-end	6209-2Z/C3	6209-2Z/C3	6209-2Z/C3	6210-2Z/C3	6212-2Z/C3
<b>Axially-locked</b>	Inner Bearing Cover	As standard, locked at D-end				
<b>Bearing seals</b>		Axial seal standard, radial on request				
<b>Measuring nipple</b>		Not included				
<b>Lubrication</b>		Permanently lubricated shielded bearings				
<b>Rating plate</b>	Material	Aluminium				
<b>Terminal Box</b>	Frame material	Sheet of Steel, cold rolled				
	Cover material	Sheet of Steel, cold rolled				
	Cover screws material	Steel 8.8				
<b>Connections</b>	Cable entries	2xM40, 1xM16		2xM50, 1xM16		
	Cable Sizes	2Rx3Cx70mm <sup>2</sup>		2Rx3Cx120mm <sup>2</sup>		
	Terminal Stud Size	M6		M10		
	Terminals	6 terminals for connection, cable lugs (not included)				
<b>Fan</b>	Material	Polypropylene, Reinforced with 20% glass fibre				
<b>Fan Cover</b>	Material	Sheet of steel, cold rolled				
	Paint Colour shade	Munsell blue 8B 4.5/3.25/NCS 4822 B05G				
	Surface Treatment	C3 medium according to ISO/EN 12944-5				
<b>Stator winding</b>	Material	Copper				
	Insulation	Insulation class F, Temperature rise class B unless otherwise stated.				
	Winding protection	-				
<b>Rotor winding</b>	Material	Pressure diecast aluminium				
<b>Balancing method</b>		Half Key Balancing as Standard				
<b>Key ways</b>		Open Key Way				
<b>Enclosure</b>		IP 55, Higher protection on request				
<b>Cooling method</b>		IC 411				
<b>Drain holes</b>		Drain holes with closable plastic plugs, open on delivery				
<b>Lifting lugs</b>		Integrated with the stator				