
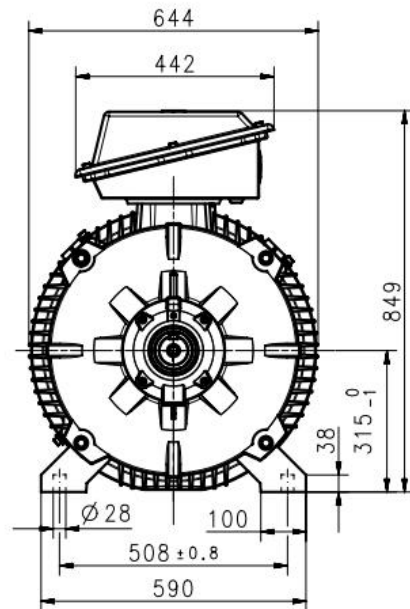
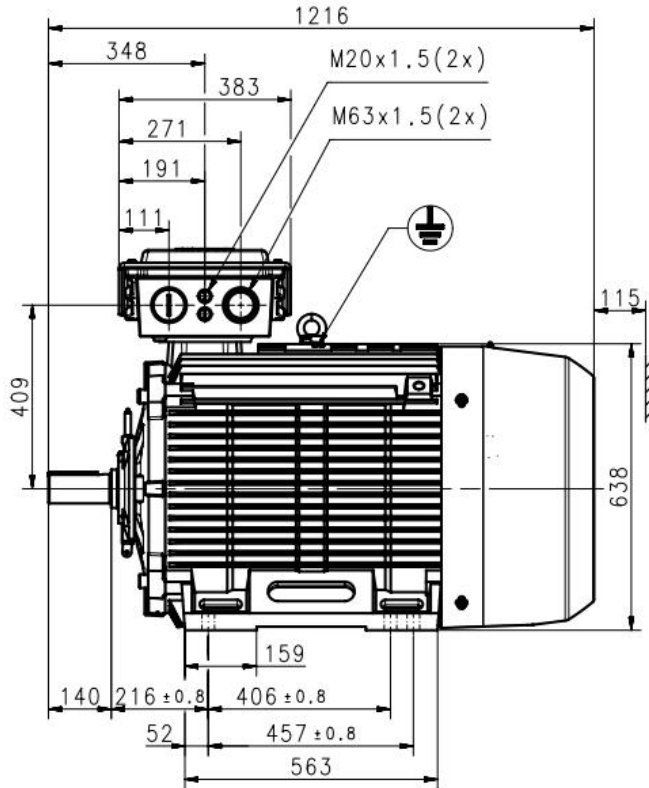
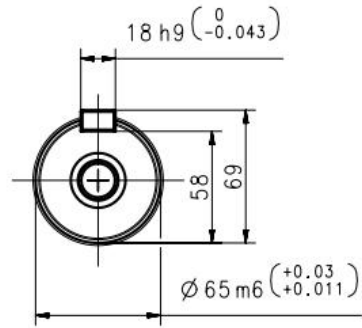
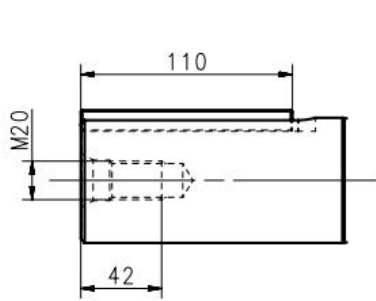


IEC LV Motors		Technical Data Sheet			
		Project	Location		
Department/Author <b>Gugan E</b>		Customer name	Customer ref		Item name <b>1.00012</b>
Our ref. <b>Trielectric International FZE</b>		Rev/Changed by <b>A</b>	Date of issue <b>9/25/2023</b>	Saving ident <b>untitled.xlsm</b>	Pages <b>1(3)</b>
No.	Definition	Data	Unit	Remarks	
1	Product	<b>TEFC, 3-phase, squirrel cage induction motor</b>			
2	Product code	<b>3GBA 311 230-ADMIN</b>		Calc. ref.	<b>3GZH021031-12</b>
3	Type/Frame	<b>M2BAX 315SMC 2</b>			
4	Mounting	<b>IM1001, B3(foot)</b>			
5	Rated output P <sub>N</sub>	<b>132</b>	kW		
6	Service factor	<b>1</b>			
7	Type of duty	<b>S1 100%</b>			
8	Rated voltage U <sub>N</sub>	<b>400</b>	VD	± 5 %	
9	Rated frequency f <sub>N</sub>	<b>50</b>	Hz	± 2 %	
10	Rated speed n <sub>N</sub>	<b>2982</b>	r/min		
11	Rated current I <sub>N</sub>	<b>229</b>	A		
12					
13	Starting current I <sub>s</sub> /I <sub>N</sub>	<b>7.7</b>			
14	Nominal torque T <sub>N</sub>	<b>423</b>	Nm		
15	Locked rotor torque T <sub>s</sub> /T <sub>N</sub>	<b>2</b>			
16	Maximum torque T <sub>max</sub> /T <sub>N</sub>	<b>2.8</b>			
17					
18					
Load characteristics		Load %	Current A	Efficiency %	Power factor
19	PLL determined from residual loss	<b>100</b>	<b>229</b>	<b>95.4 / IE3</b>	<b>0.87</b>
20		<b>75</b>	<b>174</b>	<b>95.4</b>	<b>0.86</b>
21		<b>50</b>	<b>126</b>	<b>94.4</b>	<b>0.8</b>
22					
23	Thermal withstand time hot	<b>31</b>	s		
24	Thermal withstand time cold	<b>80</b>	s		
25	Insulation class / Temperature class	<b>F / B</b>			
26	Ambient temperature	<b>50</b>	°C		
27	Altitude	<b>1000</b>	m.a.s.l.		
28	Degree of protection	<b>IP55</b>			
29	Cooling system	<b>IC411</b>			
30	Bearing DE/NDE	<b>6316/C3 - 6316/C3</b>			
31	Sound pressure level (LP dB(A) 1m)	<b>90</b>	dB(A)	at no-load	
32	Moment of inertia J = ¼ GD2	<b>1.5</b>	kg-m2		
33	Position of terminal box	<b>Top</b>			
34	Direction of rotation	<b>Bi-directional</b>			
35	Weight of rotor	<b>169</b>	kg		
36	Total weight of motor	<b>901</b>	kg		
37	Paint shade	<b>Munsell Blue</b>			
38	Cable size				
39	Vibration	<b>As Per IS 12075</b>			
40					
41					
42					
43					
44					
45					
Ex-motors					
46					
47					
48					
Option Variant Codes / Definition					
49					
50					
51					
52					
Remarks:					
Applicable standards: IS 12615:2018, IEC 60034-30-1:2014					

All performance values are subject to IS/IEC tolerances



Additional information:

<b>Dimension Print</b>	Motor Type: M2BA/BAX 315SM_2 B3 V5 V6 B6 B7 B8.	Document No: 3GZC500031-146 C 13 BA 315 A
	Description: STANDARD SQUIRREL CAGE MOTOR	
Unit: ABB Ltd., Motors and Generators	Issued by: Bin Zou	Replaces:
Date: 2015-08-13	Approved by: Anna Feng	Replaced by:
<b>ABB Ltd.</b>	Customer Reference:	<b>ABB</b>

## Motors in brief

General performance IE3 premium efficiency cast iron motors in brief

Size		280 2-8 Pole	315 2 Pole	315 4-8 Pole	355 2 Pole	355 4-8 Pole
<b>Stator</b>	Material	Cast iron grade 150, IS:210				
	Paint colour shade	Munsell blue 8B 4.5/3.25 / NCS 4822 B05G				
	Surface Treatment	C3 medium according to ISO / EN 12944-5				
<b>Feet</b>		Integrated with stator				
	Material	Cast iron grade 150, IS:210				
<b>Bearing end shields</b>	Material	Cast iron grade 150, IS:210				
	Paint colour shade	Munsell blue 8B 4.5/3.25 / NCS 4822 B05G				
	Surface Treatment	C3 medium according to ISO / EN 12944-5				
<b>Bearings</b>	D-end	6316/C3	6316/C3	6319/C3	6319/C3	6322/C3
	N-end	6315/C3	6316/C3	6316/C3	6319/C3	6319/C3
<b>Axially-locked</b>	Inner Bearing Cover	As standard, locked at D-end				
<b>Lubrication</b>		Regreasable bearing, Regreasing nipple M10x1				
<b>Measuring nipple</b>		-				
<b>Rating plate</b>	Material	Steel				
<b>Terminal Box</b>	Frame material	Cast iron grade 150, ISO: 210				
	Cover Material	Cast iron grade 150, ISO:210				
	Screws	Steel				
<b>Connections</b>	Cable Entries	2 x 2" BSC	2 x 2-1/2" BSC*			
	Cable Sizes	280 : 2Rx3Cx185Sqmm Cu/Al Cable 315 : 2Rx3Cx240Sqmm Cu/Al Cable 355 : 2Rx3Cx240Sqmm Cu/Al Cable*				
	Terminal Stud Size	M12	M16			
	Terminals	6 terminals for connection, cable lugs (not included)				
<b>Fan</b>	Material	PP** Aluminium				
<b>Fan Cover</b>	Material	Sheet of steel, Cold Rolled				
	Paint colour shade	Munsell blue 8B 4.5/3.25 / NCS 4822 B05G				
	Surface Treatment	C3 medium according to ISO / EN 12944-5				
<b>Stator winding</b>	Material	Copper				
	Insulation	Insulation class F, Temperature rise class B unless otherwise stated				
	Winding protection	-				
<b>Rotor winding</b>	Material	Pressure diecast aluminum				
<b>Balancing method</b>		Half Key Balancing as Standard				
<b>Key ways</b>		Open Key Way				
<b>Enclosure</b>		IP 55				
<b>Cooling method</b>		IC 411				
<b>Drain holes</b>		Drain holes with closable plastic plugs, open on delivery				
<b>Lifting lugs</b>		Bolted with the stator				

\*Cable sizes for 355MLC2,355MLD2,355MLB4, 355MLB6H & 355MLB4H will be 2Rx3Cx300 Sqmm Cu/Al , Threaded opening 2x3" BSC

\*\*Polypropylene, Reinforced with 20% glass fibre.