



Technical Data Sheet - DOL



Project Location
United Arab Emirates

Company Trielectric International FZE	Contact Mr.Saravanan(+971564345964)	Contact Mr.Thamizh(+971502353763)	Item name 1.00002
Our ref. Stock	Rev/Changed by A	Date of issue 9/15/2021	Saving ident 1(3)

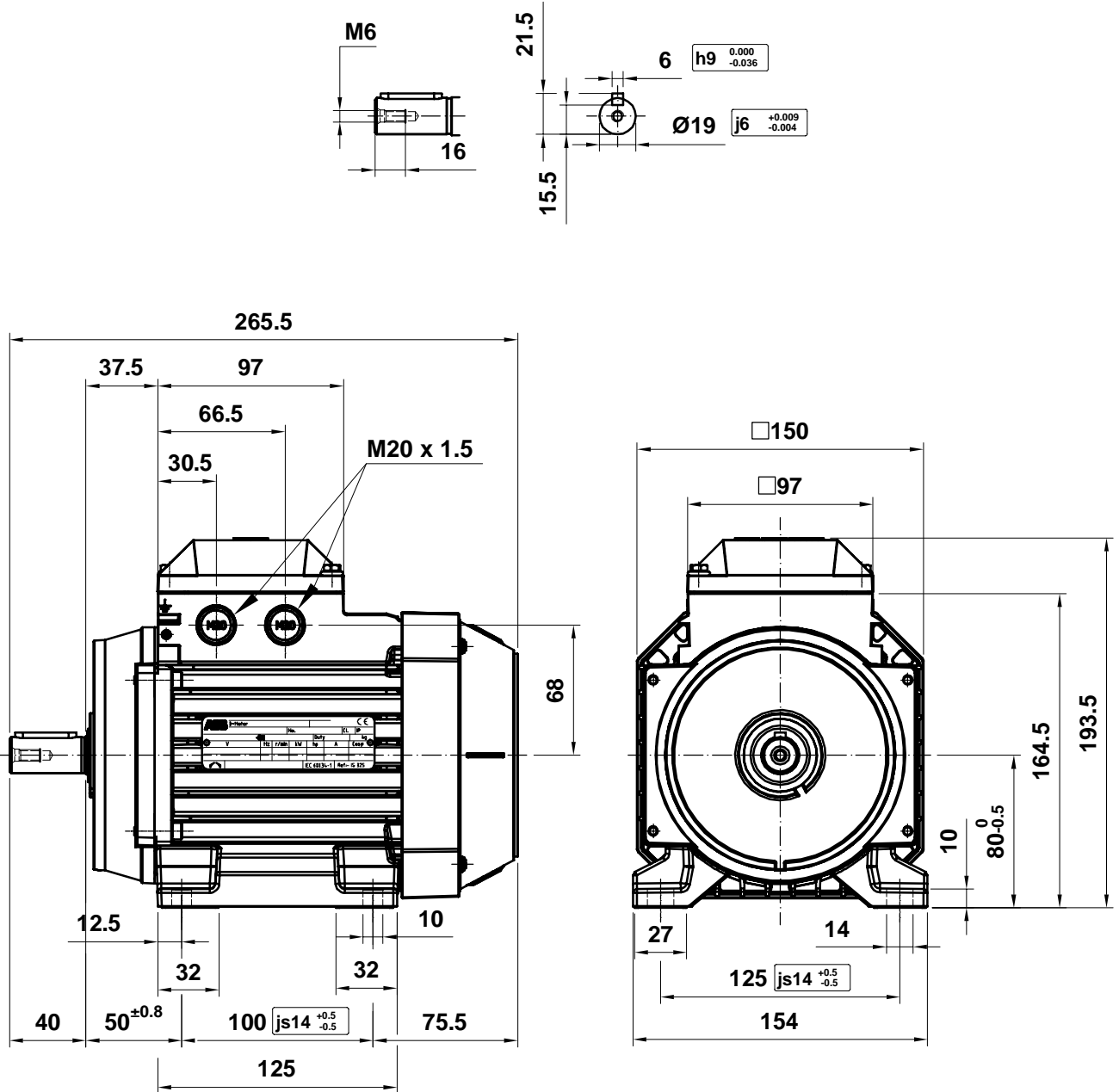
No.	Definition	Data	Unit	Remarks
1	Product	TEFC, 3-phase, squirrel cage induction motor		
2	Product code	3GAA 083 313-ASE		Calc. ref. 3GZF021008-594
3	Type/Frame	M3AA 80C 6		
4	Mounting	IM1001, B3(foot)		
5	Rated output P _N	0.55	kW	
6	Service factor	1		
7	Type of duty	S1(IEC) 100%		
8	Rated voltage U _N	400	VY	± 5 % (IEC 60034-1)
9	Rated frequency f _N	50	Hz	± 2 % (IEC 60034-1)
10	Rated speed n _N	905	r/min	
11	Rated current I _N	1.42	A	
12	No-load current	0.82	A	
13	Starting current I _s /I _N	4.4		Meet IEC 60034-12, N,(H at 60 Hz)
14	Nominal torque T _N	5.8	Nm	
15	Locked rotor torque T _s /T _N	2.7		
16	Maximum torque T _{max} /T _N	2.6		
17	Minimum torque T _{min} /T _N	2.5		
18	Speed at minimum torque	150	r/min	
Load characteristics (IEC 60034-2-1:2014)		Load %	Current A	Efficiency %
19	PLL determined from residual loss	100	1.42	73.1 / IE2
20		75	1.19	75.9
21		50	1	75.1
22		Start	6.2	0.76
23	Maximum starting time from hot	40	s	
24	Maximum starting time from cold	72	s	
25	Insulation class / Temperature class	F / B		
26	Ambient temperature	40	°C	
27	Altitude	1000	m.a.s.l.	
28	Enclosure	IP55		
29	Cooling system	IC411 self ventilated		
30	Bearing DE/NDE	6204-2Z/C3 - 6203-2Z/C3		
31	Type of Grease			
32	Sound pressure level (LP dB(A) 1m)	47	dB(A)	at load
33	Moment of inertia J = ¼ GD ²	0.0034	kg-m ²	
34	Balancing			
35	Vibration class			
36	Position of terminal box	Top		
37	Terminal box entries; no, dimens.			
38	Number of power terminals			
39	Direction of rotation	CW or CCW		
40	Weight of rotor	4	kg	
41	Total weight of motor	15	kg	
42	Dimension drawing no.			
43				
44				
45				
Ex-motors				
46				
47				
48				

Option Variant Codes / Definition

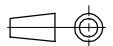

49	
50	
51	
52	

Remarks:

Data based on situation 2/27/2021
All data subject to tolerances in accordance with IEC
Guaranteed values on request



M3AA 080

Motor Dimension Print	Motor Type : M3AA 080	Document N° : A1.5015 / 3D A2.5015
Description : Motor foot mounted IM1001 / Motor con patas IM1001		
Unit : Discrete Automation & Motion - Fáb. Motores Date : 2012-01-26	Issued by : ERM/J.L. Bayo Approved by : ERM/G.Blanes	Replaces : To date 2009-03-18 Replaced by :
Asea Brown Boveri, S.A.	Customer Reference :	

Motors in brief

Motor sizes 56–132

Motor size	M3AA	56–63	71	80	90	100	112	132
Stator and end shields	Material	Die-cast aluminum alloy						
	Paint colour shade	Munsell blue 8B 4.5/3.25						
	Corrosion class	C3 according to IEO/EN 12944-5						
Feet	Integrated aluminum feet							
Bearings	D-end	6201-2Z/C3	6203-2Z/C3	6204-2Z/C3	6205-2Z/C3	6306-2Z/C3	6306-2Z/C3	6208-2Z/C3
								E2.6208-2Z/C3 ²⁾
Axially-locked bearings	N-end	6201-2Z/C3	6202-2Z/C3	6203-2Z/C3	6204-2Z/C3	6205-2Z/C3	6205-2Z/C3	6206-2Z/C3
	Inner bearing cover		ND-end retaining ring	Locked at D-end				
Bearing seal	D-end	V-ring						
	N-end	Labyrinth seal						
Lubrication	Permanent grease lubrication. Grease temperature range -40°C to +160°C							
Measuring nipples for condition monitoring of the bearings	Not included							
Rating plate	Material	Aluminum						
Terminal box	Material	Die-cast aluminum alloy, integrated to stator						
	Cover screws material	Zinc-electroplated steel						
Connections	Openings	2x(M16+M16)	2x(M20 + M20)	2x(M20+M25)			2x(M20+M25) ⁵⁾	
	Terminals	6 terminals for connection with cable lugs (not included)						
Cable glands	Optional							
Fan	Material	Glass-fiber reinforced polypropylene						
Fan cover	Material	Polypropylene						
	Paint colour shade	Munsell blue 8B 4.5/3.25						
	Corrosion class	C3						
Stator winding	Material	Copper						
	Insulation	Insulation class F						
	Winding protection	Optional						
Rotor winding	Material	Die-cast aluminum						
Balancing	Half key balancing							
Key ways	Closed key way							
Drain holes	Without drain holes		Drain holes with closable plastic plugs, open on delivery					
External earthing bolt	As option							
Enclosure	IP 55							
Cooling method	IC 411							

¹⁾ (SM) except 4p 11&15kW HO

⁴⁾ HO 2p 9,2&15kW

²⁾ 2p 9,2kW HO

⁵⁾ S, SB, M, MA

³⁾ 2p 15kW HO

⁶⁾ SC, MC, SMA-SME